

Clean separation of organic household waste.

KSB 10



The BioCon-system.

Over 40% of all household waste consists of re-usable organic material which can be recycled after separate collection. With this recycling in mind Kliko has developed the BioCon-system with the following components:



Kliko KSBs are available in various colours and sizes



with hinged lid

- KSB 10
- MGB 120/240 BioCon
- composting facilities on the basis of the BioCon method.

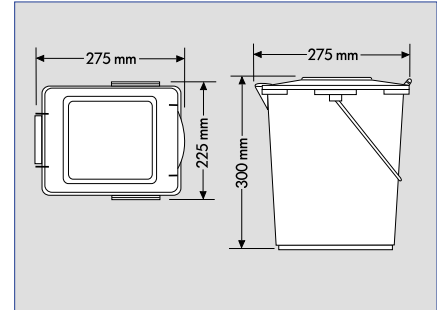
KLIKO kitchen sorting bins (KSB) are the first component and therefore the most important part of the system, as only clean organic waste can guarantee clean compost.



metal handles

Easy handling.

The KLIKO kitchen sorting bins-system makes it easy to separate the individual waste substances by using in the size of 10 litres capacity. This bin can be easily opened with one hand, while the other discharges the waste. A metal handle ensures safe transport of the KSB.



KSB 10

Eco-friendly.

KLIKO KSBs are made of high quality materials and are manufactured by our own tools. Not only are they cadmium-free, but they can also be recycled by means of regranulation, whereby the recovered material is used to create a variety of different products, – thus forming a full circle.

Technical features:

- Long life expectancy
- UV-resistant
- smooth surfaces
- resistant to chemical and biological effects
- stackable.

We reserve the right to make any insignificant optical and technical changes or improvements.

